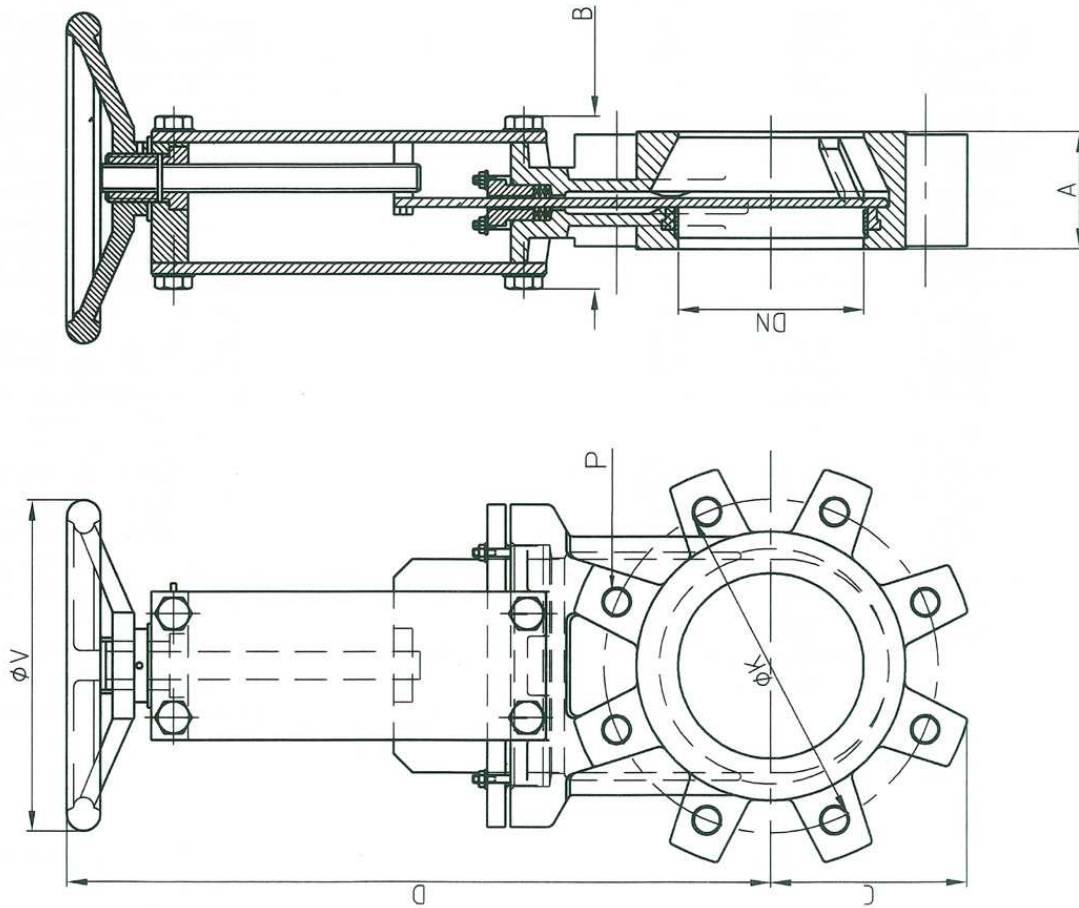


TYPE TAPPI HANDWHEEL (NON RISING STEM)



| DN | INCHES | A | B | C | D | ϕV |
|-----|--------|-------|-----|-----|------|----------|
| 50 | 2" | 47,8 | 90 | 60 | 286 | 200 |
| 65 | 2 1/2" | 47,8 | 90 | 68 | 313 | 200 |
| 80 | 3" | 50,8 | 90 | 90 | 339 | 200 |
| 100 | 4" | 50,8 | 90 | 105 | 379 | 200 |
| 125 | 5" | 54,2 | 100 | 118 | 417 | 250 |
| 150 | 6" | 57,2 | 100 | 135 | 468 | 250 |
| 200 | 8" | 69,8 | 120 | 170 | 588 | 300 |
| 250 | 10" | 69,8 | 120 | 202 | 688 | 300 |
| 300 | 12" | 76,2 | 120 | 240 | 788 | 300 |
| 350 | 14" | 76,2 | 192 | 255 | 903 | 400 |
| 400 | 16" | 88,9 | 192 | 295 | 1008 | 400 |
| 450 | 18" | 88,9 | 192 | 318 | 1098 | 500 |
| 500 | 20" | 114,3 | 192 | 345 | 1214 | 500 |
| 600 | 24" | 114,3 | 290 | 405 | 1419 | 500 |

*Higher diameters under request.

| DN | INCHES | ϕK | | NO. HOLES | P | |
|-----|--------|----------|----------|-----------|-------|----------|
| | | PN 10 | ANSI 150 | | PN 10 | ANSI 150 |
| 50 | 2" | 125 | 120,6 | 4 | M16 | W 5/8" |
| 65 | 2 1/2" | 145 | 139,7 | 4 | M16 | W 5/8" |
| 80 | 3" | 160 | 152,4 | 8 | M16 | W 5/8" |
| 100 | 4" | 180 | 190,5 | 8 | M16 | W 5/8" |
| 125 | 5" | 210 | 215,9 | 8 | M16 | W 3/4" |
| 150 | 6" | 240 | 241,3 | 8 | M20 | W 3/4" |
| 200 | 8" | 295 | 298,4 | 8 | M20 | W 3/4" |
| 250 | 10" | 350 | 361,9 | 12 | M20 | W 7/8" |
| 300 | 12" | 400 | 431,8 | 12 | M20 | W 7/8" |
| 350 | 14" | 460 | 476,2 | 16 | M20 | W 1" |
| 400 | 16" | 515 | 539,7 | 16 | M24 | W 1" |
| 450 | 18" | 565 | 577,8 | 20 | M24 | W 1 1/8" |
| 500 | 20" | 620 | 635 | 20 | M24 | W 1 1/8" |
| 600 | 24" | 725 | 749,3 | 20 | M27 | W 1 1/4" |