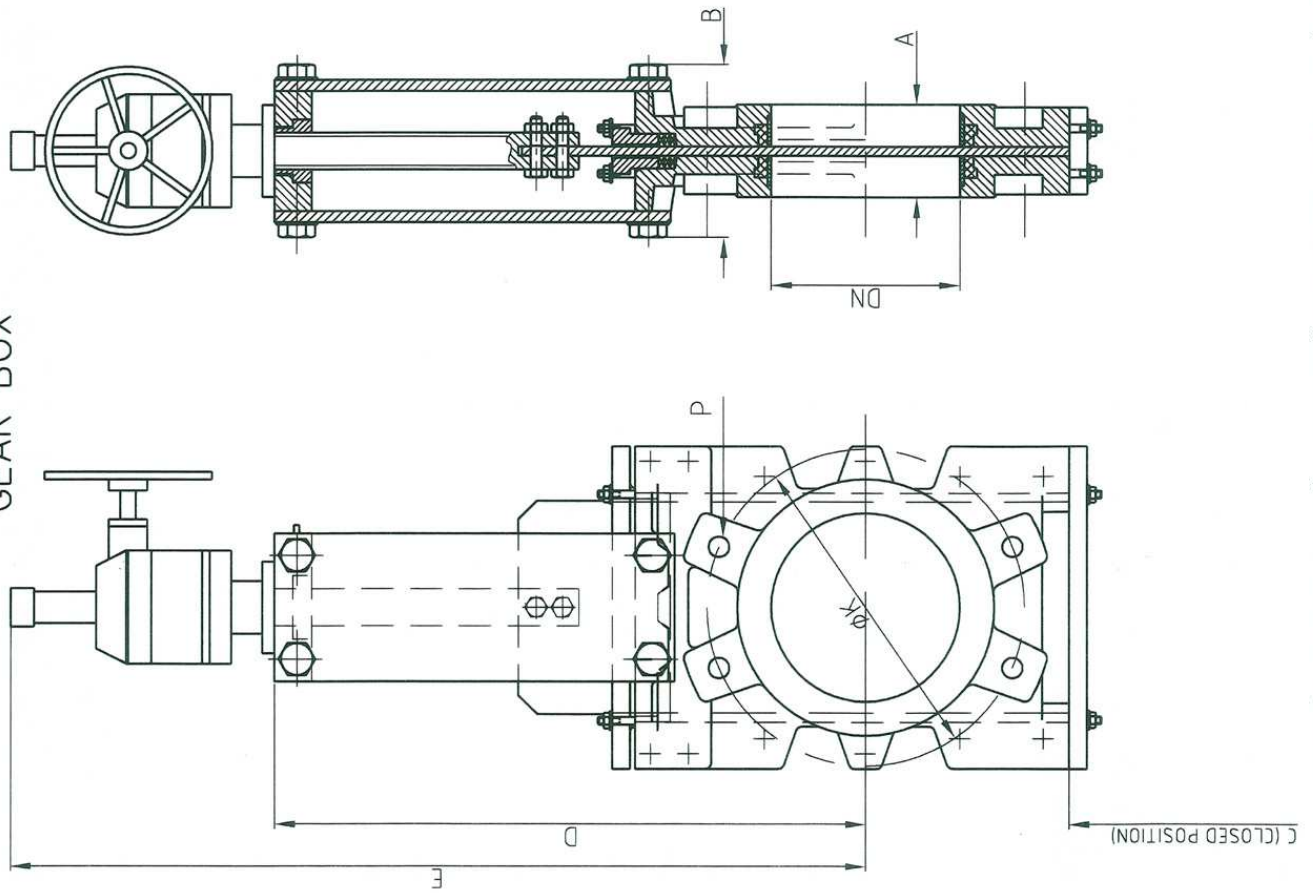


TYPE 300 SHORT GEAR BOX



DN	INCHES	A	B	C	D	E
200	8"	60	120	160	522	930
250	10"	70	120		625	1130
300	12"	70	120		725	1230
350	14"	96	192	285	845	1502
400	16"	100	192	310	945	1607
450	18"	106	192		1045	1697
500	20"	110	192		1148	1813
600	24"	110	290		1360	2148

*Higher diameters under request.

DN	INCHES	Ø K		NO. HOLES	P	
		PN 10	ANSI 150		PN 10	ANSI 150
200	8"	295	298,4	8	M20	W 3/4"
250	10"	350	361,9	12	M20	W 7/8"
300	12"	400	431,8	12	M20	W 7/8"
350	14"	460	476,2	16	M20	W 1"
400	16"	515	539,7	16	M24	W 1"
450	18"	565	577,8	20	M24	W 1 1/8"
500	20"	620	635	20	M24	W 1 1/8"
600	24"	725	749,3	20	M27	W 1 1/4"