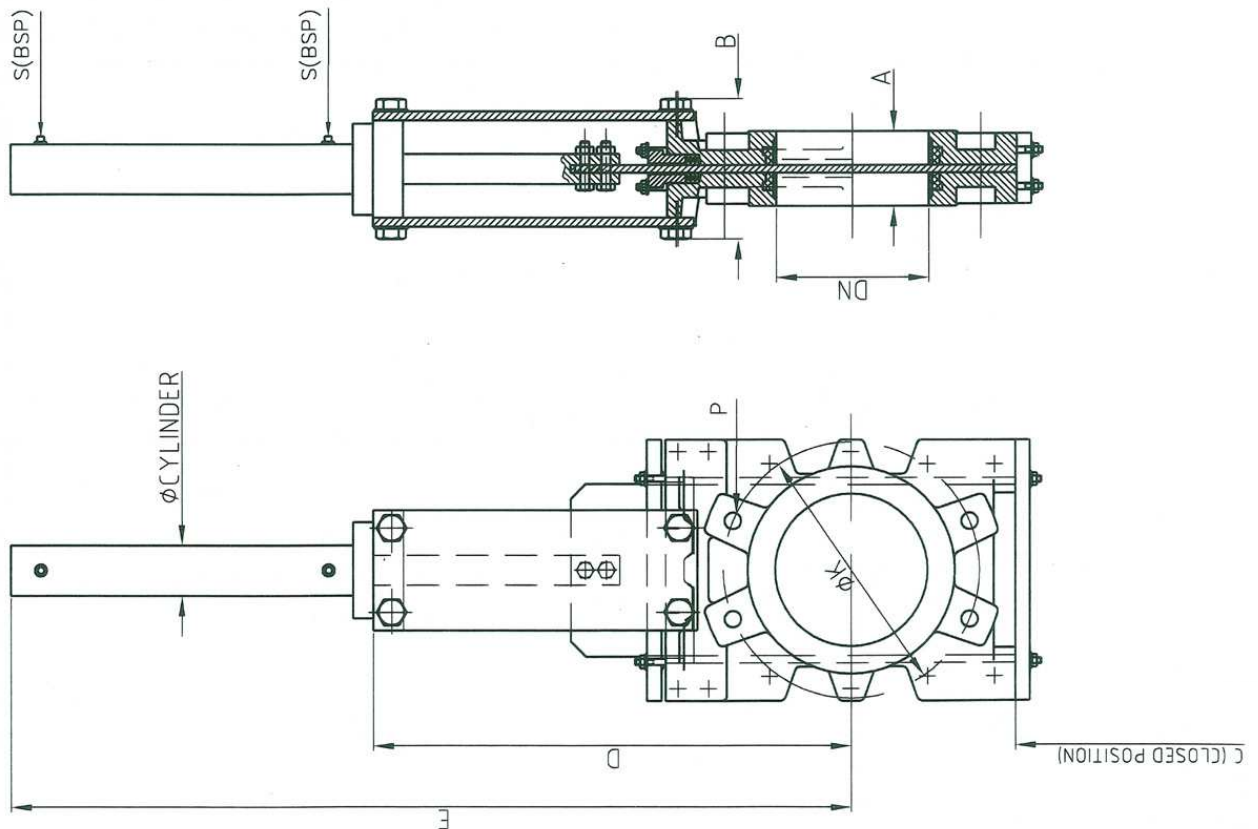


TYPE 300 SHORT HYDRAULIC



DN	INCHES	A	B	C	D	E	Ø CYLINDER	S (BSP)
50	2"	40	90		240	402	40	1/2"
65	2 1/2"	40	90		270	447	40	1/2"
80	3"	50	90		295	487	40	1/2"
100	4"	50	90		335	547	40	1/2"
125	5"	50	100		370	612	40	1/2"
150	6"	60	100	150	418	685	40	1/2"
200	8"	60	120	160	522	846	50	1/2"
250	10"	70	120		625	999	50	1/2"
300	12"	70	120		725	1151	63	3/4"
350	14"	96	192	285	845	1326	63	3/4"
400	16"	100	192	310	945	1476	63	3/4"
450	18"	106	192		1045	1646	80	3/4"
500	20"	110	192		1148	1799	80	3/4"
600	24"	110	290		1360	2111	80	3/4"

*Higher diameters under request.

DN	INCHES	Ø K		P	
		PN 10	ANSI 150	PN 10	ANSI 150
50	2"	125	120,6	M16	W 5/8"
65	2 1/2"	145	139,7	M16	W 5/8"
80	3"	160	152,4	M16	W 5/8"
100	4"	180	190,5	M16	W 5/8"
125	5"	210	215,9	M16	W 3/4"
150	6"	240	241,3	M20	W 3/4"
200	8"	295	298,4	M20	W 3/4"
250	10"	350	361,9	M20	W 7/8"
300	12"	400	431,8	M20	W 7/8"
350	14"	460	476,2	M20	W 1"
400	16"	515	539,7	M24	W 1"
450	18"	565	577,8	M24	W 1 1/8"
500	20"	620	635	M24	W 1 1/8"
600	24"	725	749,3	M27	W 1 1/4"

(CLOSED POSITION)