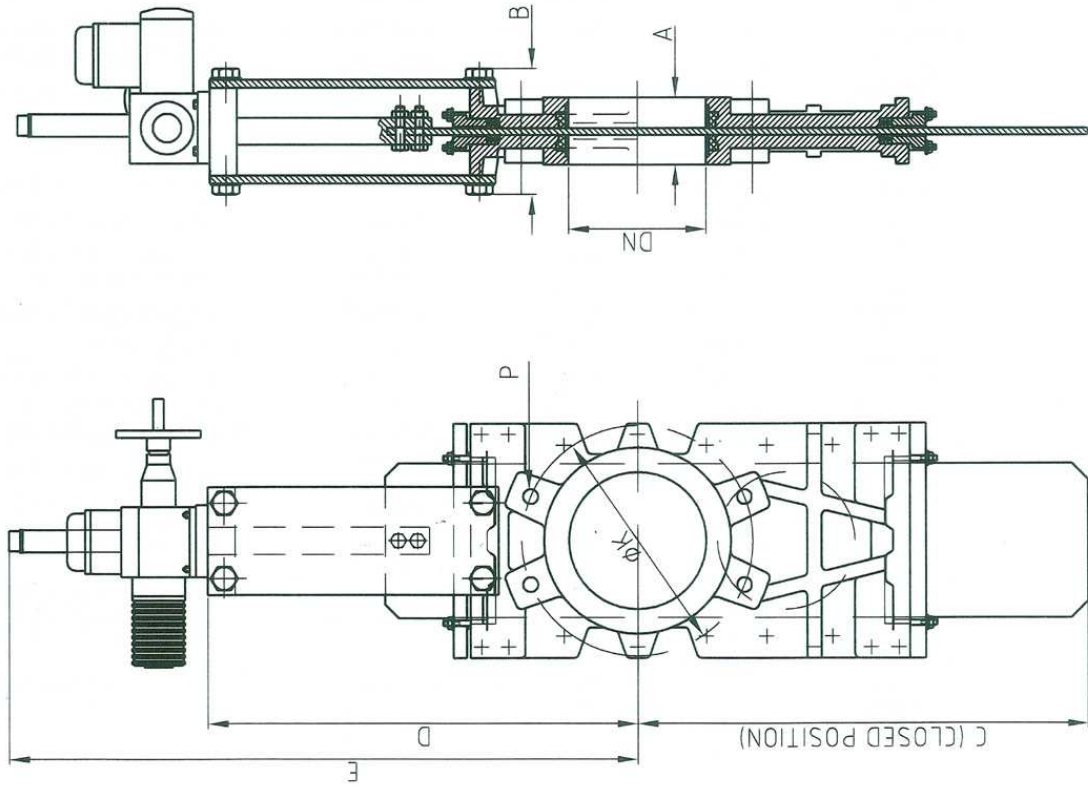


TYPE 300 ELECTRIC



| DN | INCHES | A | B | C | D | E |
|-----|--------|-----|-----|------|------|------|
| 50 | 2" | 40 | 90 | 220 | 240 | 630 |
| 65 | 2 1/2" | 40 | 90 | 260 | 270 | 655 |
| 80 | 3" | 50 | 90 | 303 | 295 | 680 |
| 100 | 4" | 50 | 90 | 360 | 335 | 720 |
| 125 | 5" | 50 | 100 | 428 | 370 | 805 |
| 150 | 6" | 60 | 100 | 493 | 418 | 855 |
| 200 | 8" | 60 | 120 | 632 | 522 | 1050 |
| 250 | 10" | 70 | 120 | 767 | 625 | 1250 |
| 300 | 12" | 70 | 120 | 897 | 725 | 1350 |
| 350 | 14" | 96 | 192 | 1042 | 845 | 1510 |
| 400 | 16" | 100 | 192 | 1167 | 945 | 1615 |
| 450 | 18" | 106 | 192 | 1297 | 1045 | 1870 |
| 500 | 20" | 110 | 192 | 1455 | 1148 | 1986 |
| 600 | 24" | 110 | 290 | 1705 | 1360 | 2115 |

*Higher diameters under request.

| DN | INCHES | Ø K | | NO. HOLES | P | |
|-----|--------|-------|----------|-----------|-------|----------|
| | | PN 10 | ANSI 150 | | PN 10 | ANSI 150 |
| 50 | 2" | 125 | 120,6 | 4 | M16 | W 5/8" |
| 65 | 2 1/2" | 145 | 139,7 | 4 | M16 | W 5/8" |
| 80 | 3" | 160 | 152,4 | 8 | M16 | W 5/8" |
| 100 | 4" | 180 | 190,5 | 8 | M16 | W 5/8" |
| 125 | 5" | 210 | 215,9 | 8 | M16 | W 3/4" |
| 150 | 6" | 240 | 241,3 | 8 | M20 | W 3/4" |
| 200 | 8" | 295 | 298,4 | 8 | M20 | W 3/4" |
| 250 | 10" | 350 | 361,9 | 12 | M20 | W 7/8" |
| 300 | 12" | 400 | 431,8 | 12 | M20 | W 7/8" |
| 350 | 14" | 460 | 476,2 | 16 | M20 | W 1" |
| 400 | 16" | 515 | 539,7 | 16 | M24 | W 1" |
| 450 | 18" | 565 | 577,8 | 20 | M24 | W 1 1/8" |
| 500 | 20" | 620 | 635 | 20 | M24 | W 1 1/8" |
| 600 | 24" | 725 | 749,3 | 20 | M27 | W 1 1/4" |