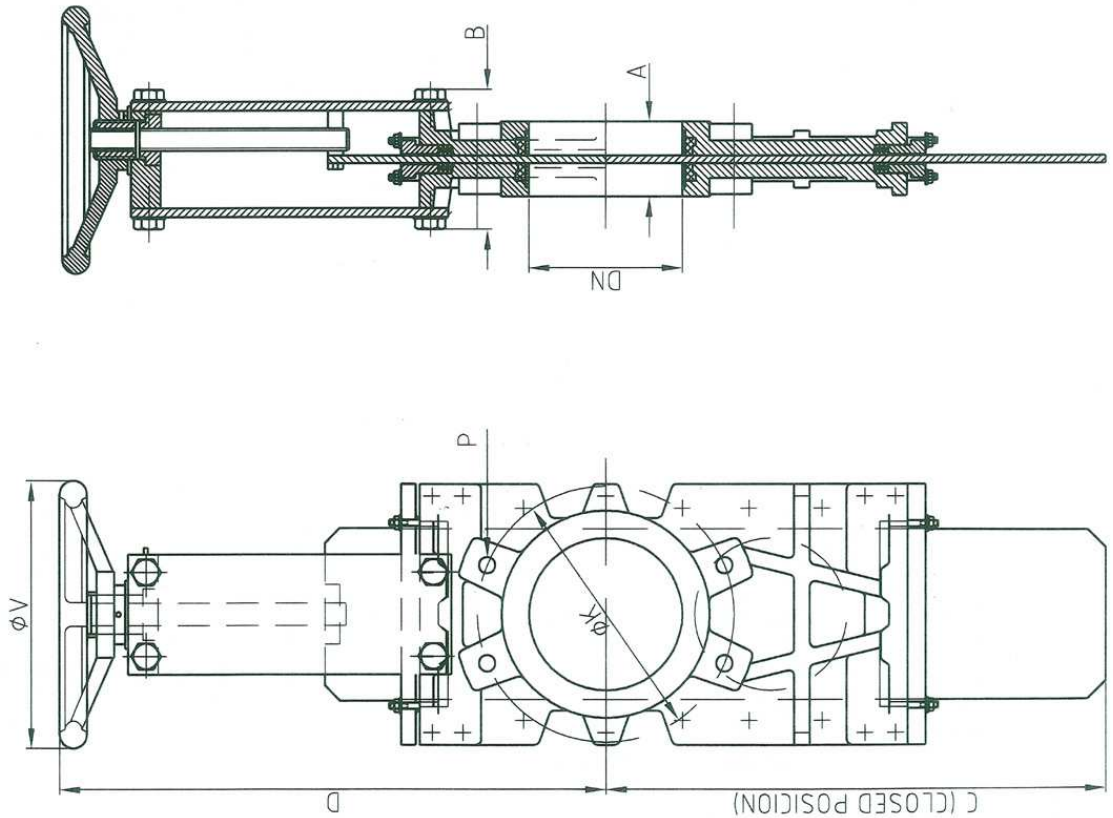


TYPE 300 HANDWHEEL (NON RISING STEM)



DN	INCHES	A	B	C	D	ϕV
50	2"	40	90	220	286	200
65	2 1/2"	40	90	260	313	200
80	3"	50	90	303	339	200
100	4"	50	90	360	379	200
125	5"	50	100	428	417	250
150	6"	60	100	493	468	250
200	8"	60	120	632	588	300
250	10"	70	120	767	688	300
300	12"	70	120	897	788	300
350	14"	96	192	1042	903	400
400	16"	100	192	1167	1008	400
450	18"	106	192	1297	1098	500
500	20"	110	192	1455	1214	500
600	24"	110	290	1705	1419	500

*Higher diameters under request.

DN	INCHES	ϕK		NO. HOLES	P	
		PN 10	ANSI 150		PN 10	ANSI 150
50	2"	125	120,6	4	M16	W 5/8"
65	2 1/2"	145	139,7	4	M16	W 5/8"
80	3"	160	152,4	8	M16	W 5/8"
100	4"	180	190,5	8	M16	W 5/8"
125	5"	210	215,9	8	M16	W 3/4"
150	6"	240	241,3	8	M20	W 3/4"
200	8"	295	298,4	8	M20	W 3/4"
250	10"	350	361,9	12	M20	W 7/8"
300	12"	400	431,8	12	M20	W 7/8"
350	14"	460	476,2	16	M20	W 1"
400	16"	515	539,7	16	M24	W 1"
450	18"	565	577,8	20	M24	W 1 1/8"
500	20"	620	635	20	M24	W 1 1/8"
600	24"	725	749,3	20	M27	W 1 1/4"

C (CLOSED POSITION)