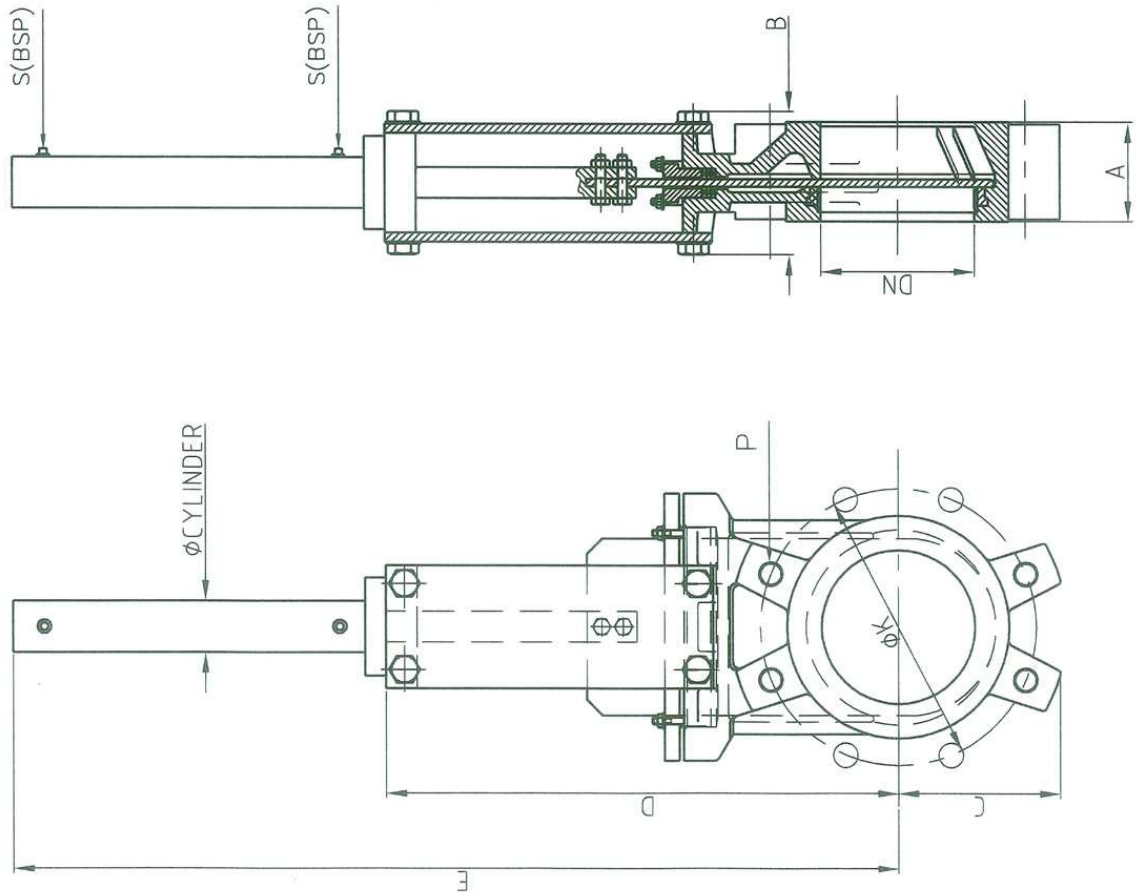


TYPE 400 HYDRAULIC



DN	INCHES	A	B	C	D	E	Ø CYLINDER	S (BSP)
50	2"	60	90	60	240	402	40	1/2"
65	2 1/2"	60	90	68	270	447	40	1/2"
80	3"	64	90	90	295	487	40	1/2"
100	4"	64	90	105	335	547	40	1/2"
125	5"	70	100	118	370	612	40	1/2"
150	6"	76	100	135	418	685	40	1/2"
200	8"	89	120	170	522	846	50	1/2"
250	10"	114	120	202	625	999	50	1/2"
300	12"	114	120	240	725	1151	63	3/4"
350	14"	127	192	255	845	1326	63	3/4"
400	16"	140	192	295	945	1476	63	3/4"
450	18"	152	192	318	1045	1646	80	3/4"
500	20"	152	192	345	1148	1799	80	3/4"
600	24"	178	290	405	1360	2111	80	3/4"

*Higher diameters under request.

DN	INCHES	Ø K		P	
		PN 10	ANSI 150	NO. HOLES	PN 10
50	2"	125	120,6	4	M16 W 5/8"
65	2 1/2"	145	139,7	4	M16 W 5/8"
80	3"	160	152,4	8	M16 W 5/8"
100	4"	180	190,5	8	M16 W 5/8"
125	5"	210	215,9	8	M16 W 3/4"
150	6"	240	241,3	8	M20 W 3/4"
200	8"	295	298,4	8	M20 W 3/4"
250	10"	350	361,9	12	M20 W 7/8"
300	12"	400	431,8	12	M20 W 7/8"
350	14"	460	476,2	16	M20 W 1"
400	16"	515	539,7	16	M24 W 1"
450	18"	565	577,8	20	M24 W 1 1/8"
500	20"	620	635	20	M24 W 1 1/8"
600	24"	725	749,3	20	M27 W 1 1/4"